

# DUO 6

## ELEGANT 6 INCH UP AND DOWN LUMINAIRE

### Housing

Diameter : Ø6.37" | Height : 20" | Weight : 15.2 lbs

### Material

Housing : Extruded Aluminum

Lens : Clear polycarbonate

### Power Input

Downlight : 25W, 50W, 70W | 120-277V

Uplight : 25W | 120-277V

### Lumen Output

Downlight : 2,205 lm (25W), 4,305 lm (50W), 6,475 lm (70W)

Uplight : 1,045 lm (25W/RGB)

### Dimming

DMX : High resolution dims to 0.1% (RJ45 only)

(Supports ANSI E1.20 RDM protocol)

Dual Dimming (Controls Up/Down Separately)

### Color Quality

CRI 85 | UGR ≤ 19

### Rated Life

> 100,000 Hours (L70)

### Finish



Black



White

### Color Temperature



2700K



3000K



3500K



4000K



RGB

### Optics



60°  
UP/DOWN



WIDE  
UP/DOWN

### Mounting



Power Line



Power Line  
Remote Power

### Warranty

5 Year limited warranty

### Listing



Intertek

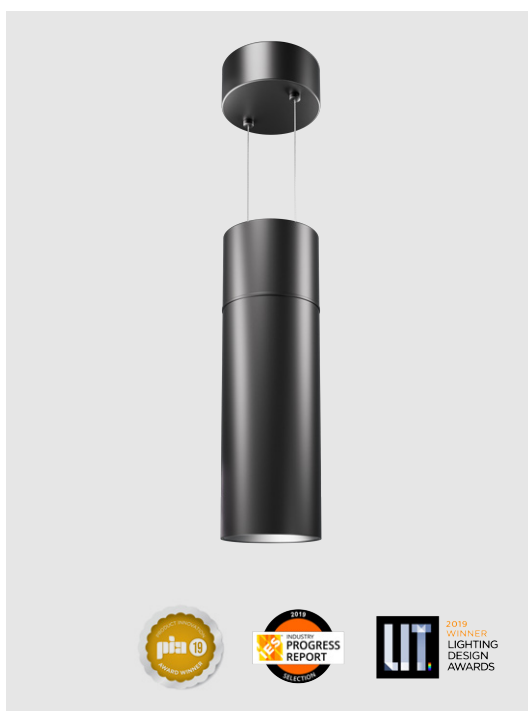
## SPECIFICATION SHEET RGB UPLIGHT / WHITE DOWNLIGHT

### Revolutionary Mounting System

With a unique High Lumen Power Suspension System, the Duo series is an elegant, cable-free and aesthetic up and downlight solution.

With a seamless connector and hidden signal wire, this luminaire seamlessly blends into your environment and space.

Duo gives you perfect optics with intuitive design making it a decorative element that adds a touch of class.



**SPECIFICATION**

PROJECT NAME

DATE

CATALOG #

QUANTITY

The product configurator function on this page works only with the latest version of Chrome or Adobe Acrobat Reader.

<input type="text" value="DUO6"/>	MODEL	<b>DUO 6</b>		
<input type="text"/>	WATTAGE	<b>50</b> Downlight: 25W Uplight: 25W	<b>75</b> Downlight: 50W Uplight: 25W	<b>95</b> Downlight: 70W Uplight: 25W
<input type="text"/>	CCT / CRI	<b>Downlight</b> <b>278</b> 2700K / CRI 85 <b>408</b> 4000K / CRI 85	<b>308</b> 3000K / CRI 85	<b>358</b> 3500K / CRI 85
<input type="text" value="RGB"/>		<b>Uplight</b> <b>RGB</b>		
<input type="text" value="UNV"/>	VOLTAGE	<b>UNV</b> 120 – 277V		
<input type="text" value="DMXRD"/>	DIMMING	<b>With Signal Wire</b> <b>DMXRD</b> <sup>1</sup> DMX dims to 0.1% Dual (Up/Down Separately)		
<input type="text"/>	BEAM ANGLE	<b>Downlight</b> <b>60</b> 60°	<b>WD</b> <sup>2</sup> Wide	
<input type="text"/>		<b>Uplight</b> <b>60</b> 60°	<b>WD</b> <sup>2</sup> Wide	
<input type="text"/>	FINISH	<b>BLK</b> Black	<b>WHT</b> White	
<input type="text"/>	MOUNTING	<b>PL#(2/4/6/8/10)</b> <sup>3</sup> Power Line Mount (2, 4, 6, 8, and 10 ft.)	<b>PL#RM(2/4/6/8/10)</b> <sup>3</sup> Power Line Mount with Remote Power (2, 4, 6, 8, and 10 ft.)	

CLEAR FORM

<sup>1</sup> DMXR connects with RJ45 Sockets

<sup>2</sup> WD option reduces delivered lumens by ~20%

<sup>3</sup> Replace “#” with the required length designation. ex: PL2, PL4

## TECHNICAL DETAILS

### Electrical

- Downlight : 2,205 lm (25W), 4,305 lm (50W), 6,475 lm (70W)
- Uplight : 1,045 lm (25W/RGB)
- Power Input : Universal (120-277V)
- Operating Temperature : -13°F-104°F
- Surge Protection : Built-in is 2.5KV
- Power Factor Greater than 0.9

### LED Features

- Color Temperature : 2700K, 3000K, 3500K, 4000K and RGB
- CRI 85
- UGR ≤ 19
- Long lasting LED luminaire tested under TM21 lumen maintenance L70 @ 100,000 Hrs

### Optics

- Precision molded high transmittance clear lenses
- Beam Angle : Up&Down: 60°, WD

### Advanced Dimming

- Proprietary VX Driver™ is integrated across all dimming options, delivering video flicker-free performance and full compliance with IEEE 1789.

#### With Signal Wire

- DMX : high resolution dims to 0.1% (RJ45 only)  
(Supports ANSI E1.20 RDM protocol)  
Dual Dimming (Controls Up/Down Separately)

### Housing

- Diameter : Ø6.37"
- Height : 20"
- Material : Extruded Aluminum
- Weight : 15.2 lbs
- Canopy Height : 2.95"

### Mounting

- Power Line Mount 2ft, 4ft, 6ft, 8ft, 10ft (Canopy Height : 2.95")
- Power Line Mount 2ft, 4ft, 6ft, 8ft, 10ft with Remote Power (Canopy Height : 0.84")

### Warranty

- 5-year limited warranty

### Listing

- ETL Listed

## PERFORMANCE SUMMARY\*

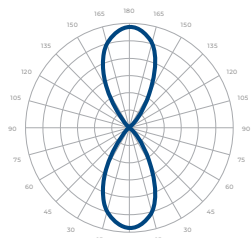
	Delivered Lumens			
	R	G	B	
<b>Uplight</b> (25W)	125lm	820lm	100lm	
<b>50W</b> DOWNLIGHT (25W)	2700K	3000K	3500K	4000K
	1,900lm	2,060lm	2,180lm	2,205lm
<b>75W</b> DOWNLIGHT (50W)	2700K	3000K	3500K	4000K
	3,720lm	3,980lm	4,210lm	4,305lm
<b>95W</b> DOWNLIGHT (70W)	2700K	3000K	3500K	4000K
	5,745lm	6,230lm	6,390lm	6,475lm

	Current Consumption	
	120V	277V
<b>WATTAGE / VOLT</b>		
<b>30W</b>	0.28A	0.12A
<b>50W</b>	0.46A	0.20A
<b>75W</b>	0.69A	0.30A
<b>95W</b>	0.87A	0.38A

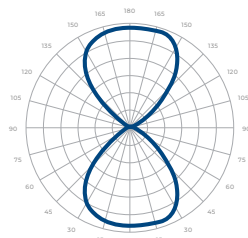
\* Tolerance ±8%

**PHOTOMETRICS**

Below is a typical photometric representation of the Duo 6 fixture. Please download IES files to ensure exact photometric value.



60°



WIDE

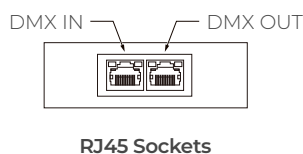
**DMX REQUIREMENTS**

The Duo 6 static white + RGB fixture with DMX is a **four channel dmx** unit. The downlight and uplight are controlled **separately**. When placing an order, please indicate DMX address. (The DMX address will be listed on the back of the fixture). Do not connect more than 32 fixtures per DMX daisy chain.

Fixture	DMX Address			
	Red Control (ex. X) Uplight	Green Control (ex. X+1) Uplight	Blue Control (ex. X+2) Uplight	White Control (ex. X+3) Downlight
#1	1	2	3	4
#2	5	6	7	8
#3	9	10	11	12

The fixture can be connected with RJ45 sockets. DMX cables **are not** included; please refer to compatible DMX cabling list for more information. The final fixture on each daisy chain should be terminated by the use of a DMX terminator purchased from a 3rd party or from Meteor.

CONNECTION	RJ45 (CAT5e)
Common	WHITE/BROWN(PIN7) & BROWN (PIN 8)
Signal -	ORANGE (PIN 2)
Signal +	WHITE/ORANGE (PIN 1)
Spare	-
Spare	-

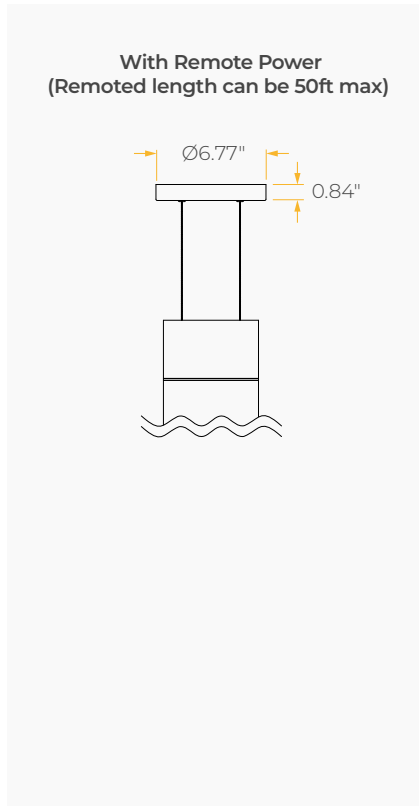
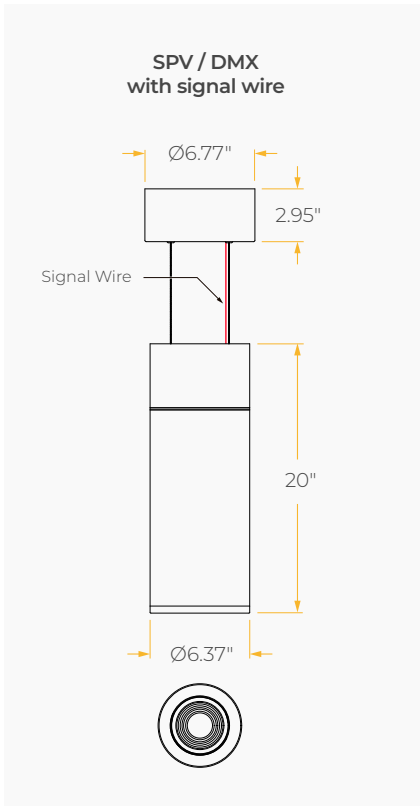


**COMPATIBLE DMX CABLING LIST**

DMX uses a cable consisting of two twisted pairs plus a shield to carry data. The cable must be specifically impedance matched for the digital DMX signal, meaning that microphone cable or other non-rated cable **must not be used to carry DMX**. Network cable (Cat5, 5e or 6 cable) may be used to carry DMX in an installation; however special consideration must be given to shielding and termination. Under no circumstances should solid core cable like Cat5 be terminated into a screw down connector.

Meteor recommends the use of Belden 9729 or Belden 9841 for DMX installation. Belden 9729/9841 is a two pair cable, which allows for a spare pair for 'out and back' type terminations if needed.

**DIMENSIONS**



**MOUNTING OPTIONS\***

\*Junction Box not included

